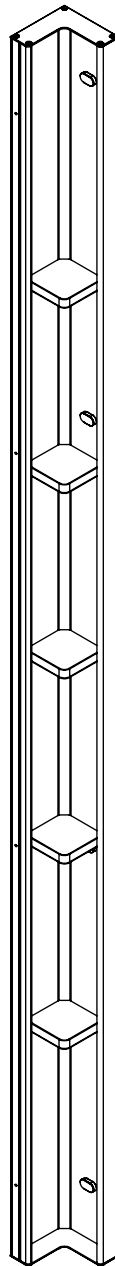
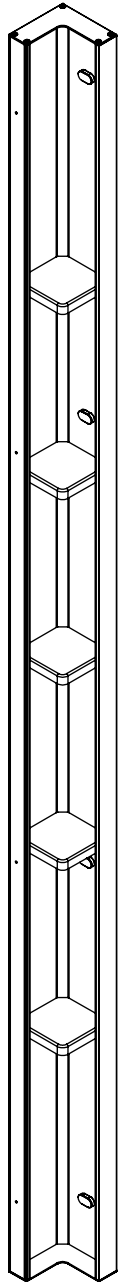
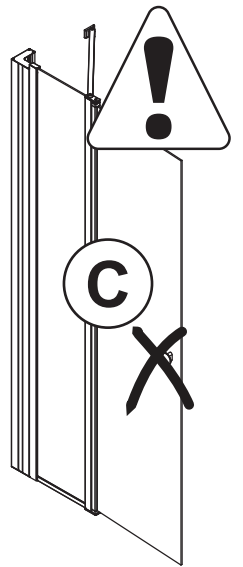
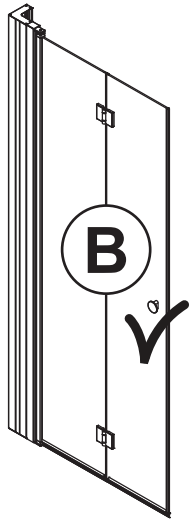


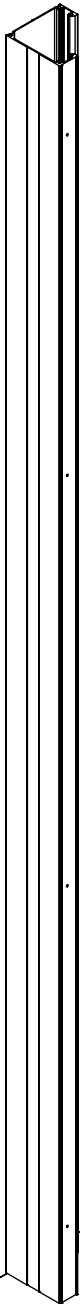


**DANSANI**  
DANISH BATHROOM DESIGN

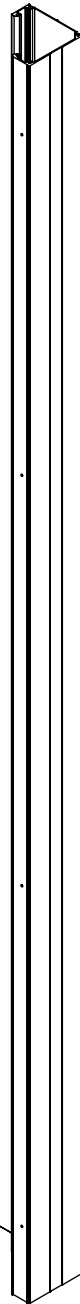




**1**

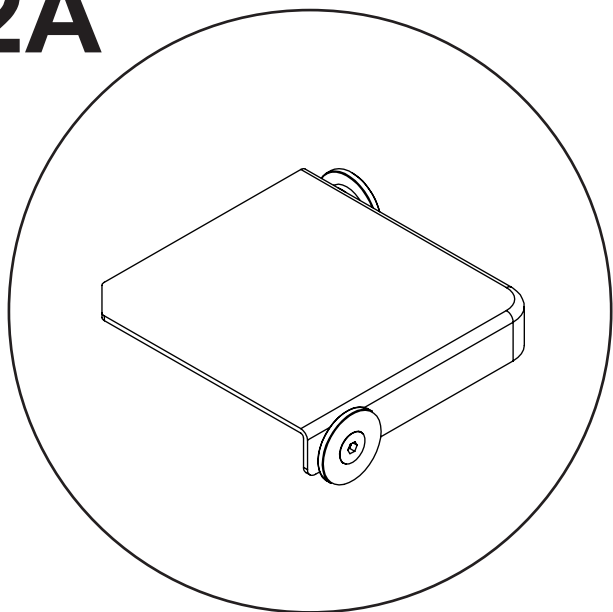


→ **2A**

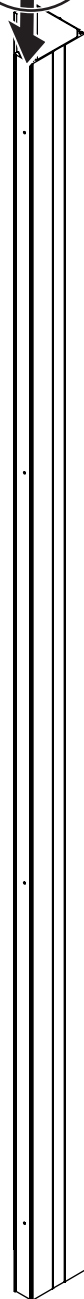
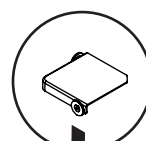
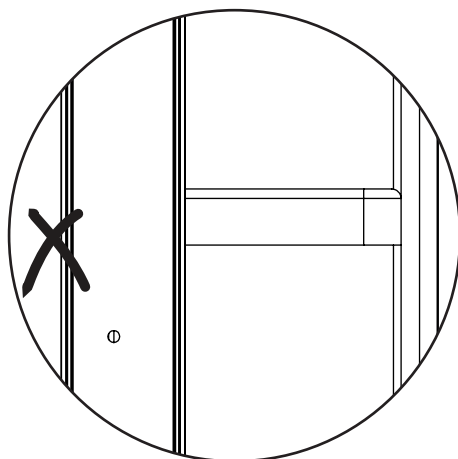
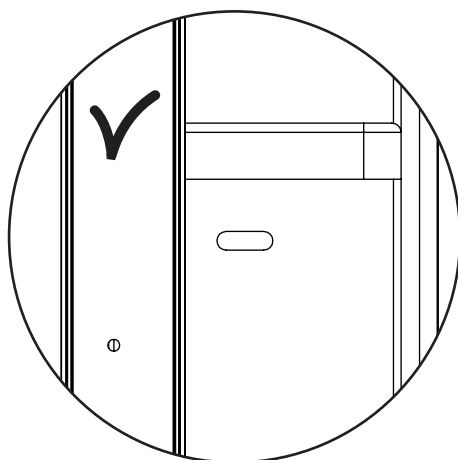
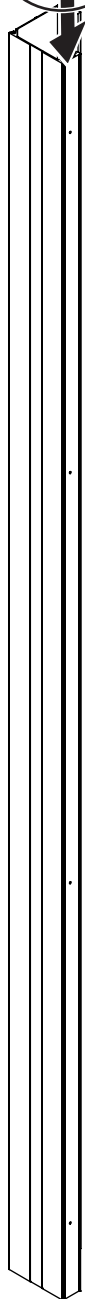
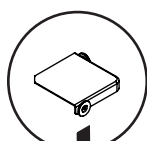
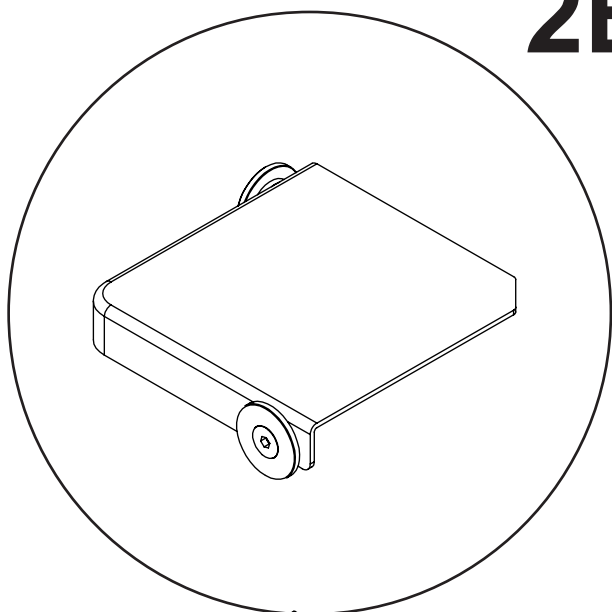


→ **2B**

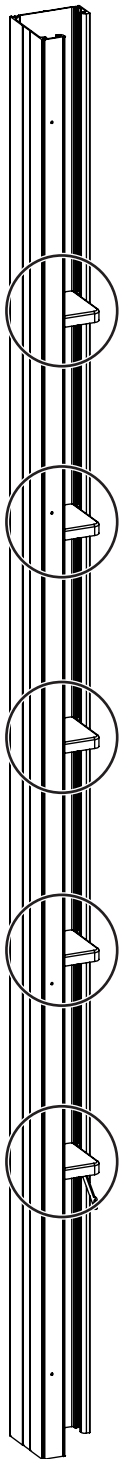
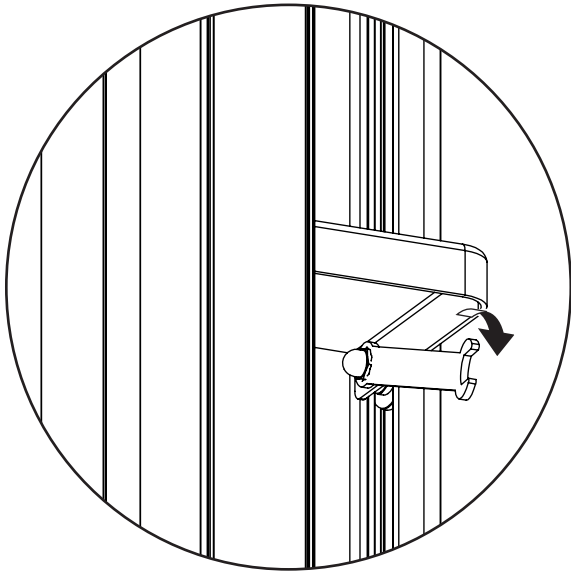
2A



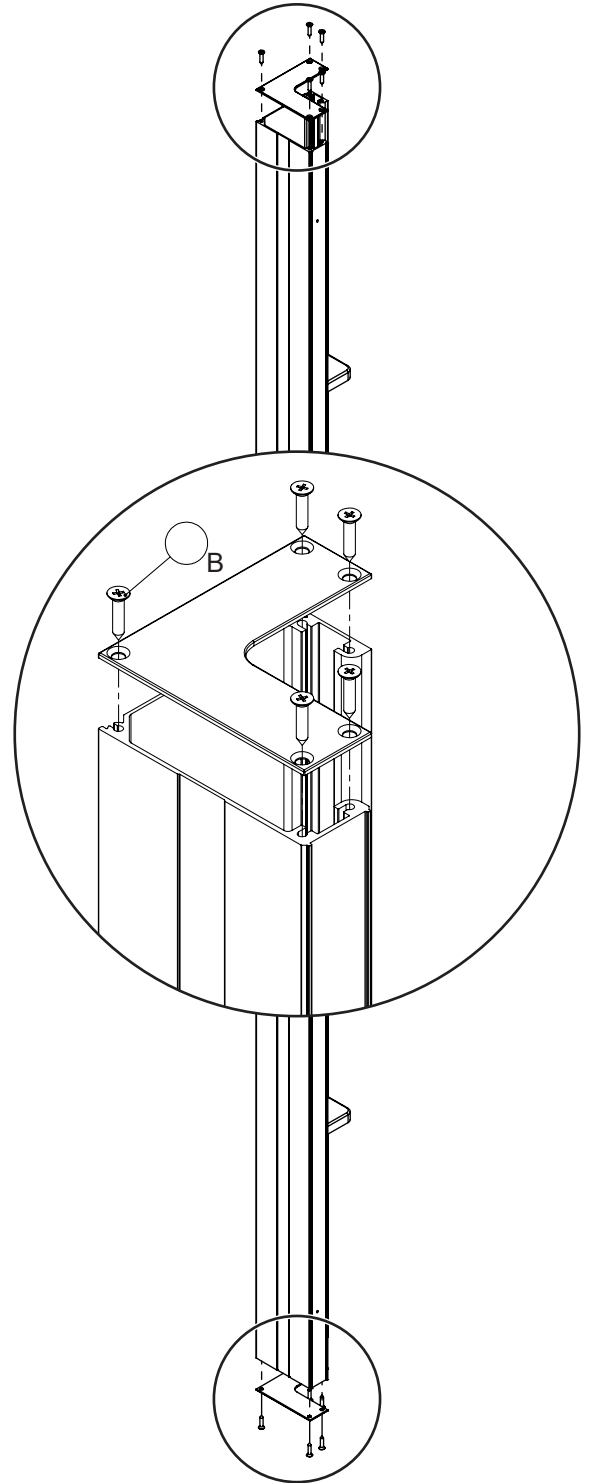
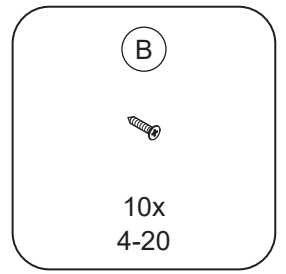
2B

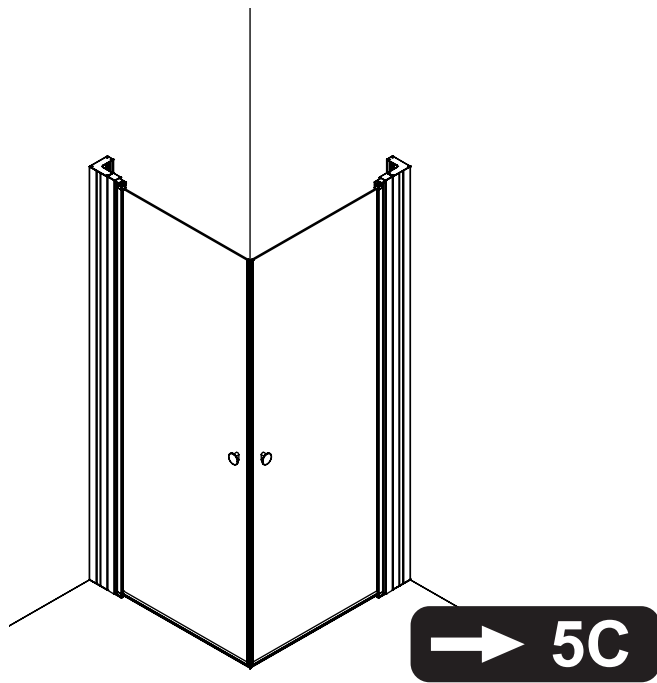
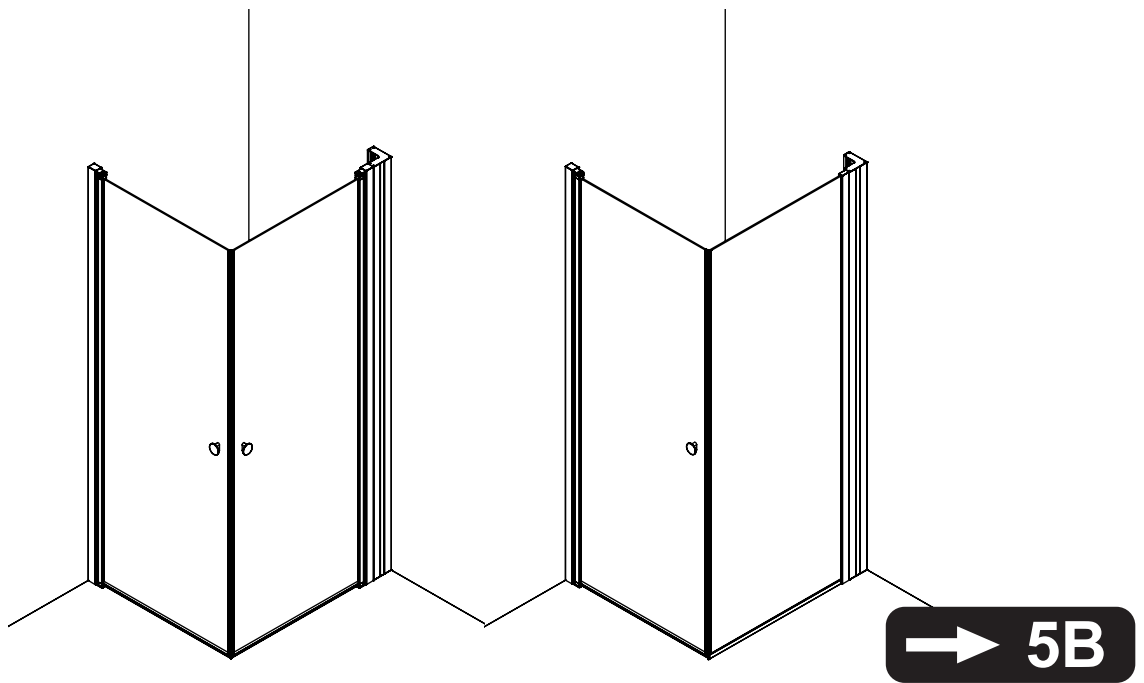
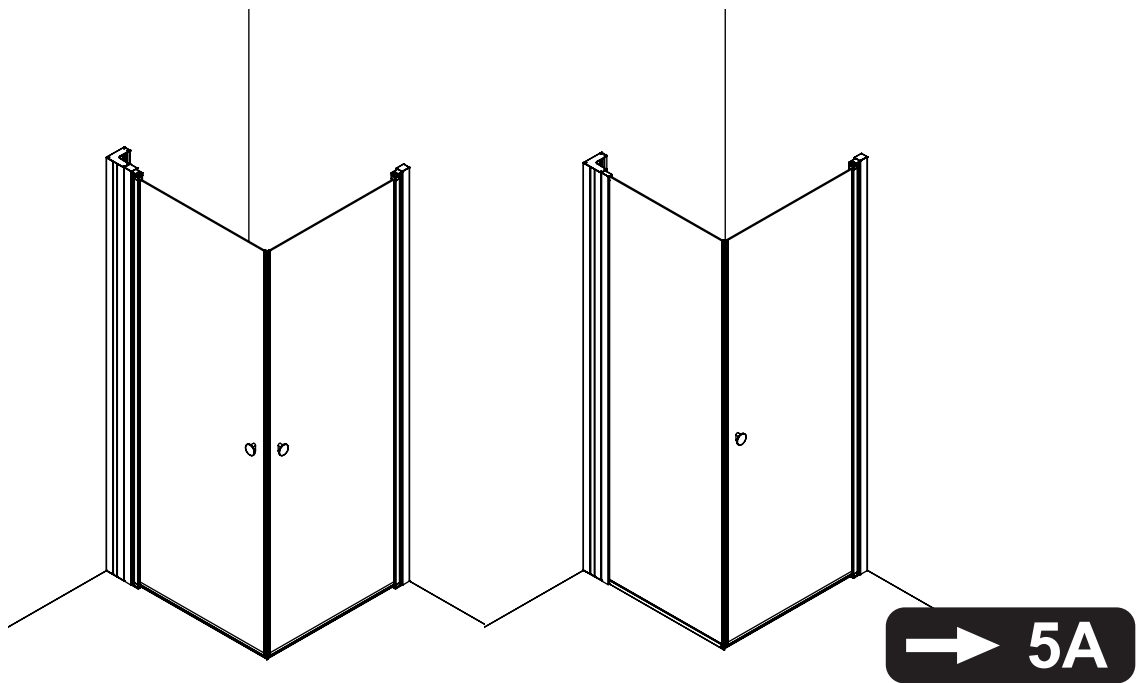


3

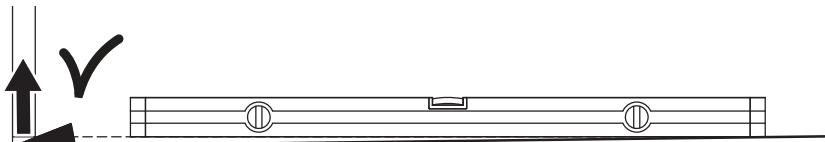
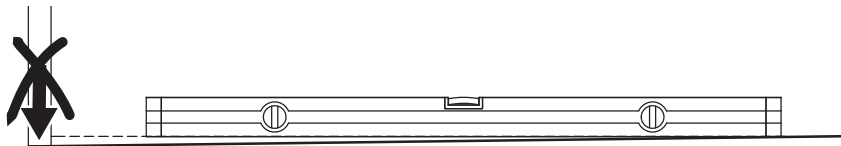
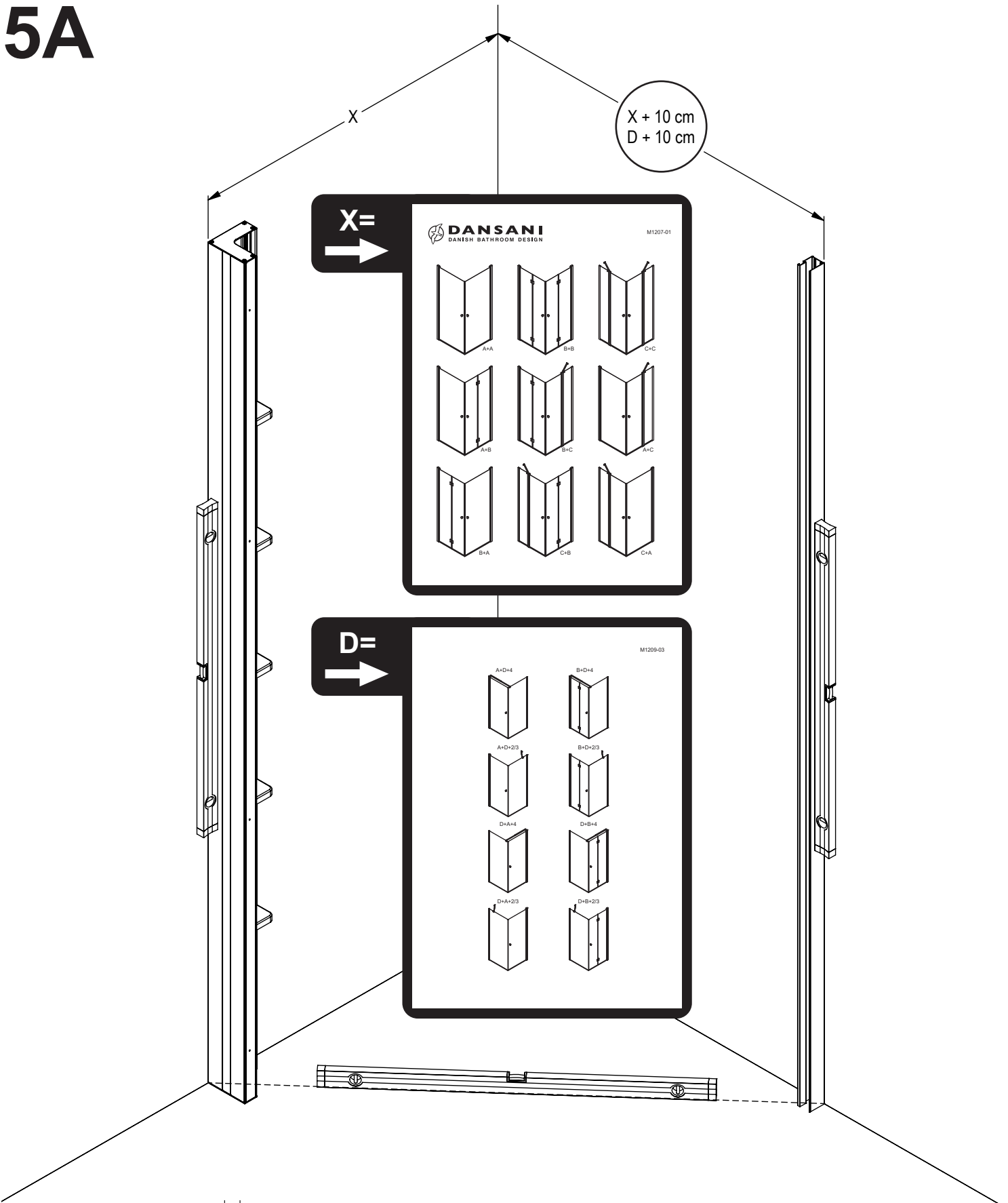


4

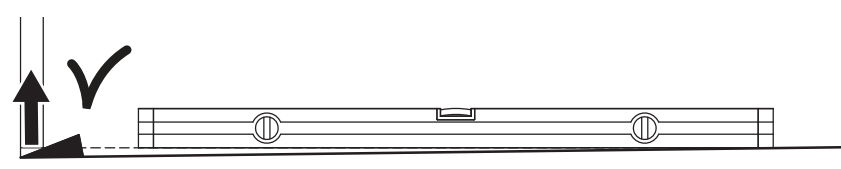
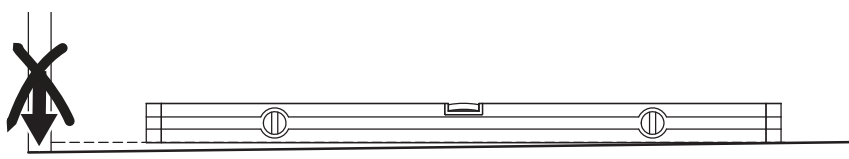
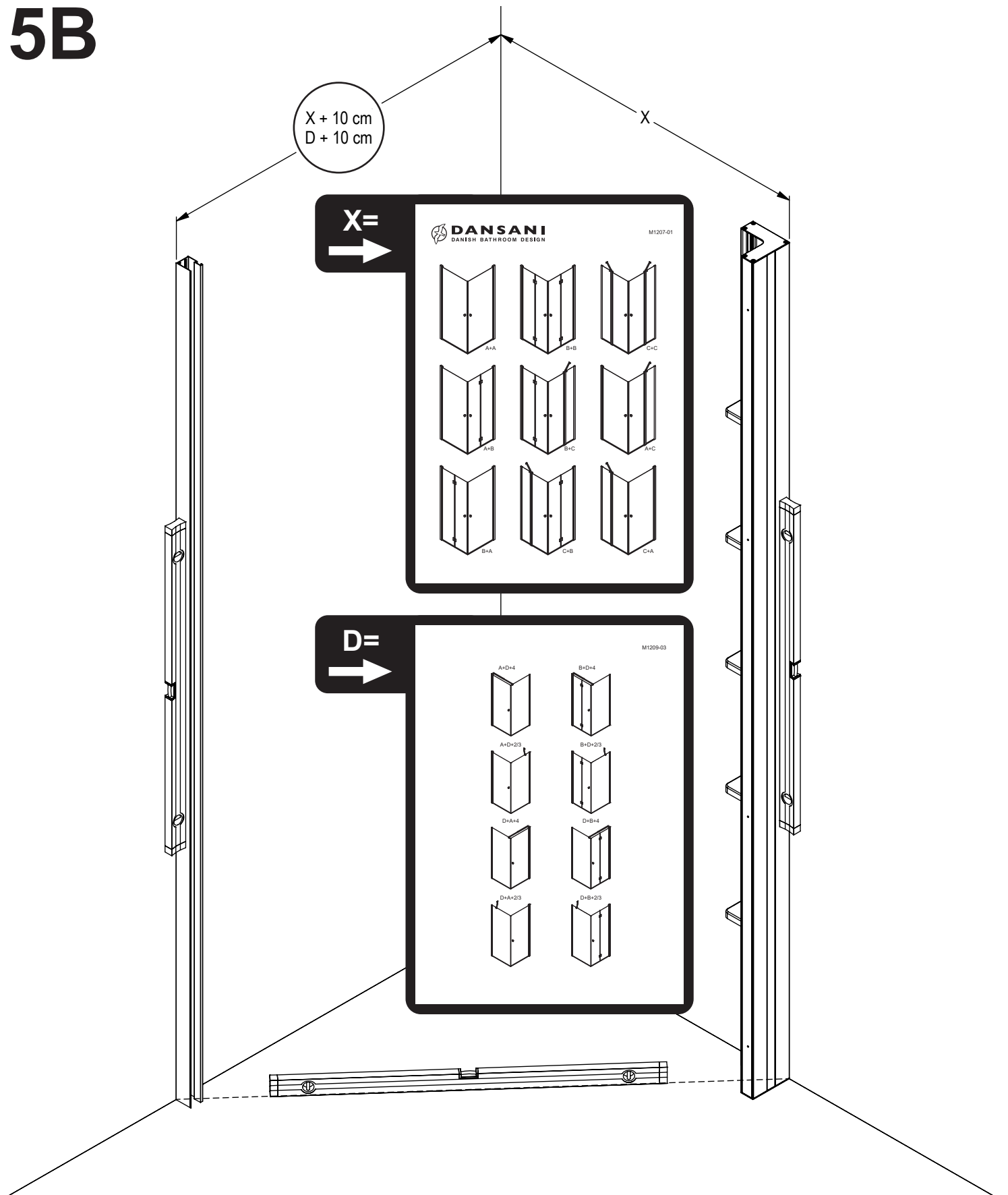




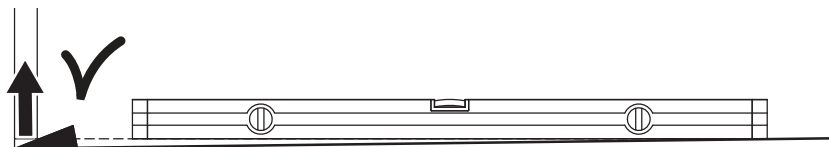
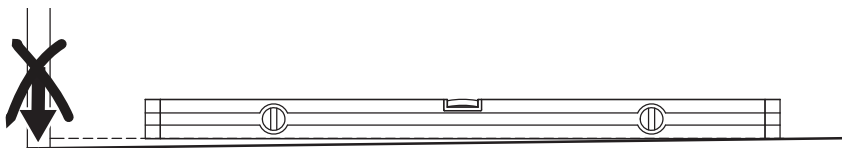
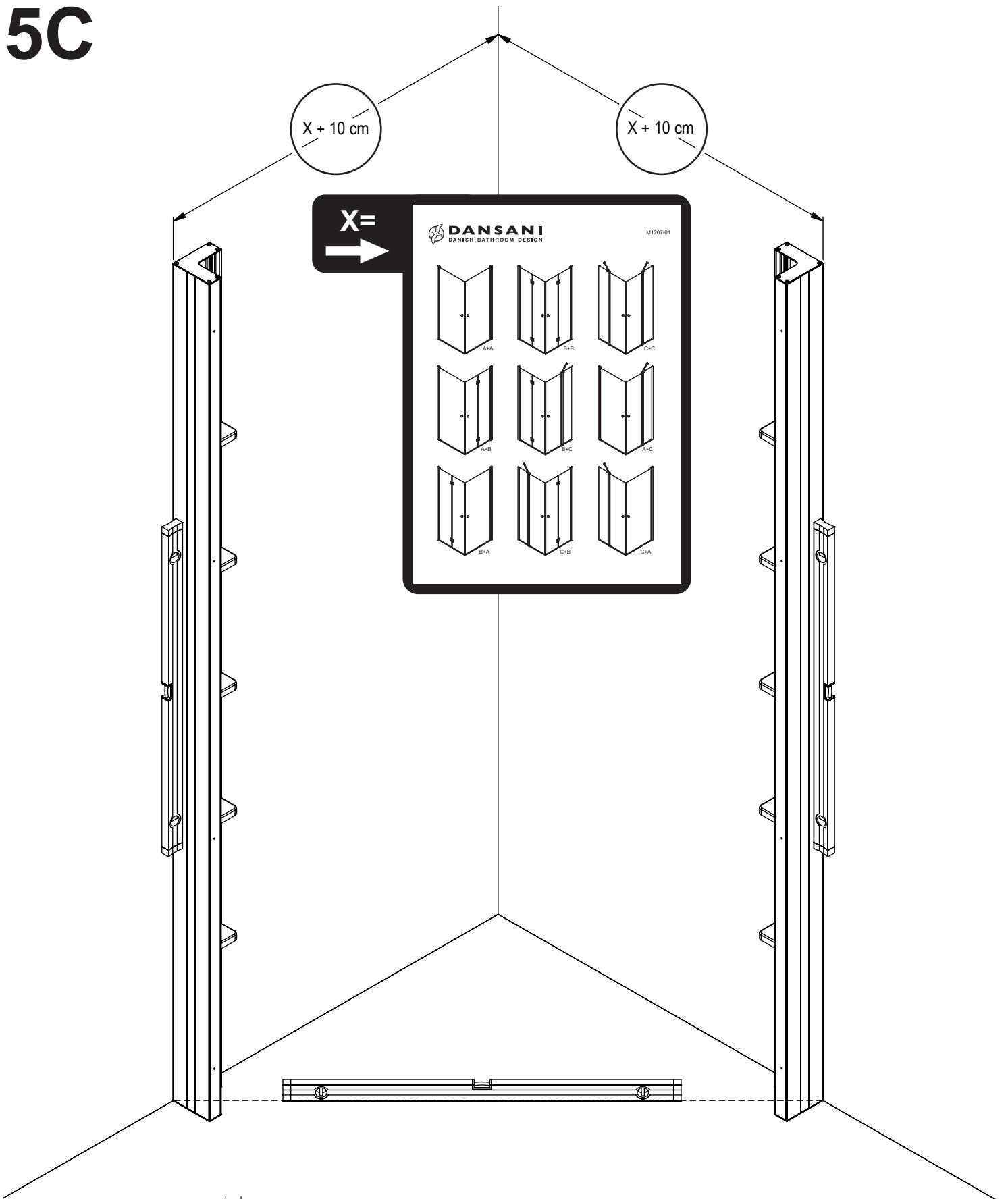
# 5A



# 5B

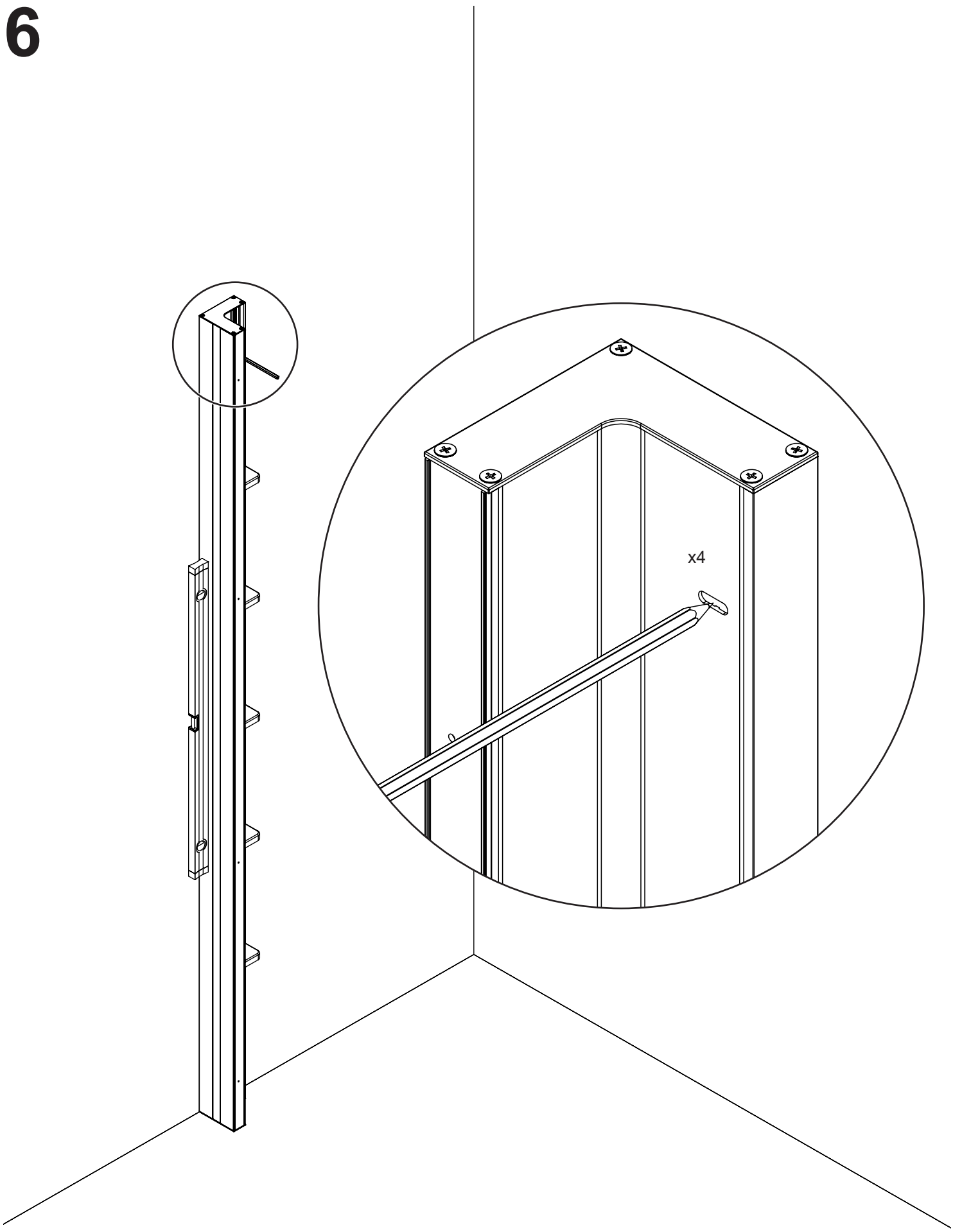


# 5C

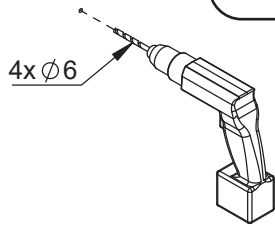
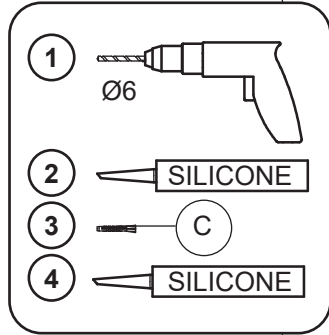
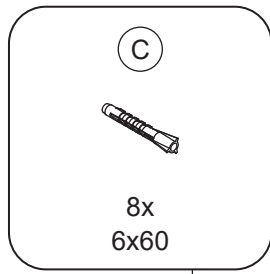




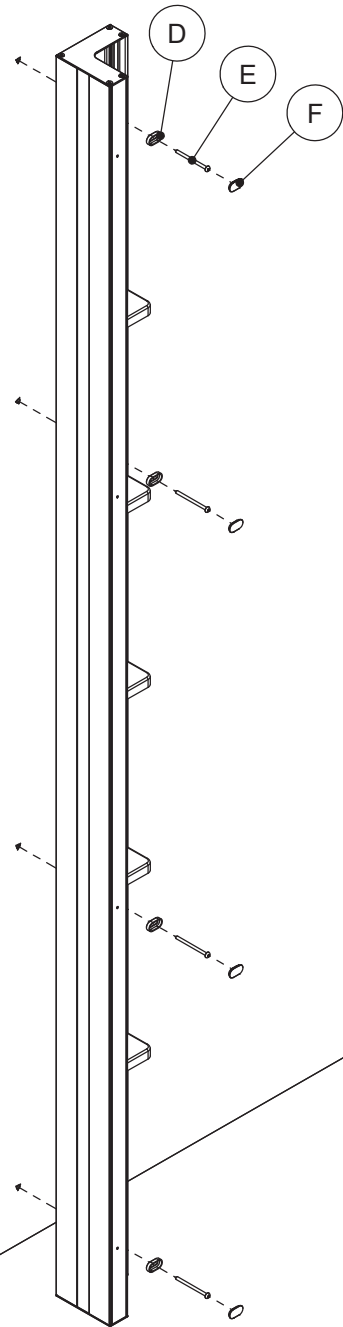
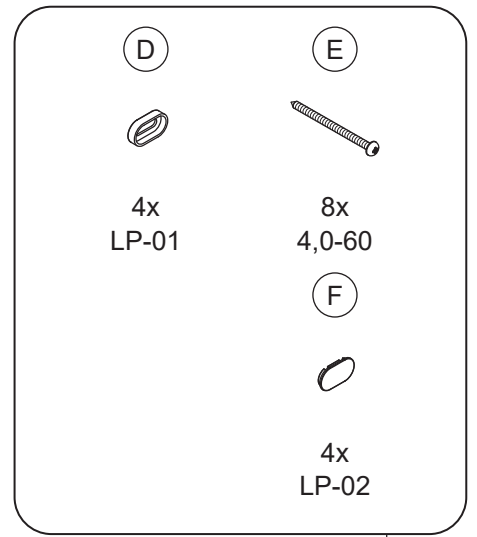
6



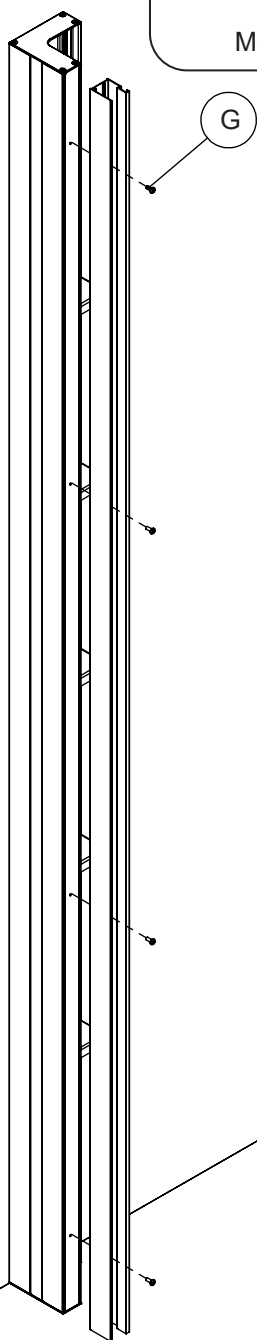
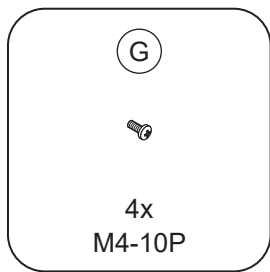
# 7



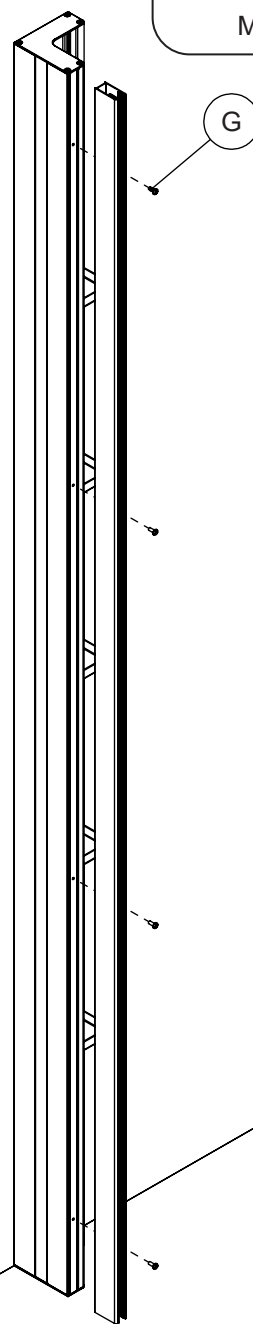
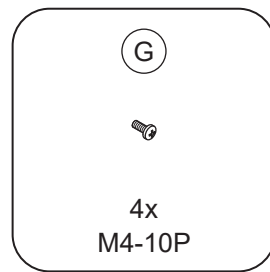
# 8



# 9A



# 9B



**1207**

**DANSANI**  
DANISH BATHROOM DESIGN

M1207-01

A+A B+B C+C  
A+B B+C A+C  
B+A C+B C+A

**1209**

M1209-03

A+D+4 B+D+4  
A+D+2/3 B+D+2/3  
D+A+4 D+B+4  
D+A+2/3 D+B+2/3

